



(800) 346-7805 | sales@wenzco.com



# D90PKU

1 TOOL MACHINE | KUBOTA ENGINE | PORTABLE COMPRESSOR



90CFM/100PSI

# SPECIFICATIONS

## Compressor

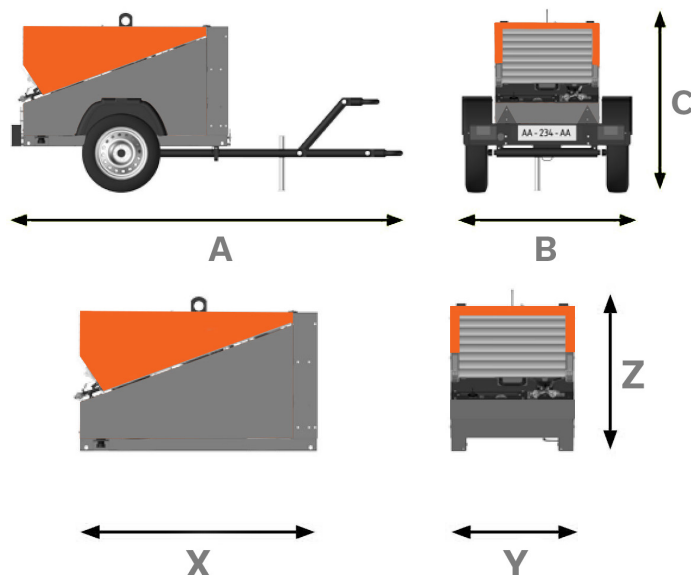
Model	D90PKU
Free Air Delivery	90 cfm (2.5 m3/min)
Working Pressure	100 psi (7 bar)
Max Sound Power Level	74 dBA
Qty of Air Filters	1
Oil Capacity - Compressor	2 Gal (6.5 L)
Compressed Air Outlets	2 x G1/2"

## Engine

Type	Diesel
Brand	Kubota
Model	Kubota D1105 Tier 4 Final
Number of Cylinders	3
Power	24.3 HP (18.1 kW)
Fuel Tank Capacity	6.5 Gal (24 L)

## Dimensions

Weight Axle-Mounted (skid mounted)	1,256/1,058 lbs (570/480 kg)
Maximum Length (A/X)	113.7/59.6 in (2,888/1,514 mm)
Width (B/Y)	46.7/30 in (1,185/750 mm)
Height (C/Z)	52/38.5 in (1,320/980 mm)



## FEATURES

- Hinged canopy with gas springs for service access
- Torsion bar suspension for stable towing
- 14" wheels
- Full adjustable height draw bar, 3" eye
- Full shift fuel tank
- Lifting eye, center mounted for machine pick-up
- Service valve on control end
- Automatic shutdowns
- Stop turn tail lights
- Automatic 0 to 100% compressor control
- Automatic blowdown valve
- Easily runs 90 lb breaker
- Dual slidelock canopy latches (padlockable)

### Ergonomics

- Lightweight for towing with smaller vehicles
- easy access to control and service components
- Transparent fuel tank for level control
- Uncouple gas spring hinges allow canopy to open 180 degrees
- Protected exhaust system, front, opposite controls

### Instrument Panel

- Simple to use
- Keyed ignition, ON/OFF, glow plug and start
- Start/Run valve for easy starting and warm up
- Warning lights, alternator and glow plug operation
- Air pressure gauge

### Savings

- Progressive airflow regulation
- Removable hinged steal hood
- Compact size allowing for smaller footprint and lower shipment costs

Wenzco Supplies, LLC

191 Kelly Road  
Quakertown, PA 18951

800.346.7805

wenzco.com

sales@wenzco.com